

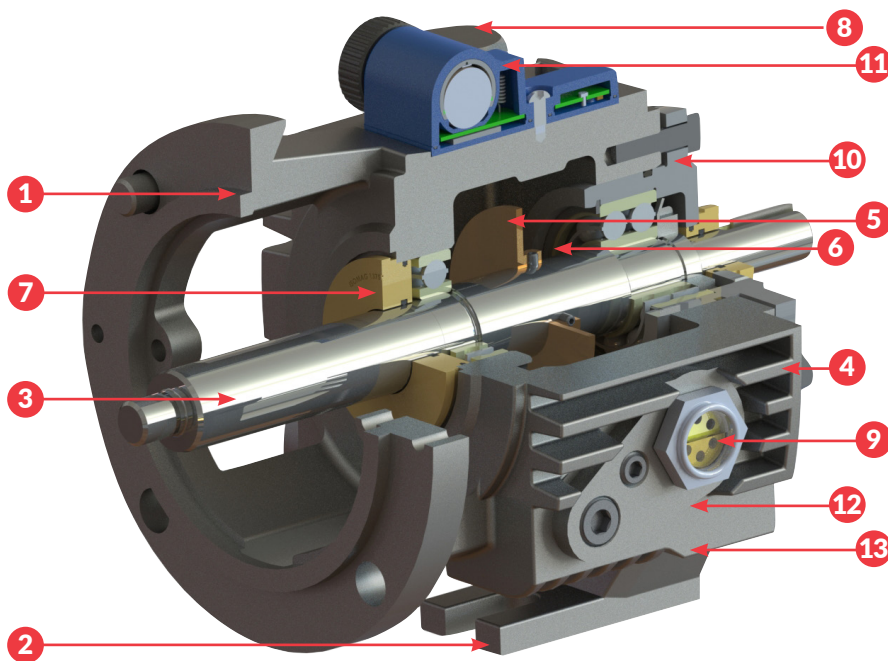
# We are the **ONLY** One

PumpWorks Industrial is the **only** manufacturer of ANSI pumps who provides every Power Frame with **all** of the following **standard** features:

- |   |   |
|---|---|
| <ul style="list-style-type: none"> <li>1 Carbon steel (WCB) construction</li> <li>2 Wrought steel mounting foot (Group 2 and above)</li> <li>3 316L SS shafts (sleeved or solid shaft)</li> <li>4 Finned frame for lower oil and bearing temperatures</li> <li>5 Splash oil lubrication</li> <li>6 Glyptol™ enamel coated power frame interior surface</li> <li>7 ISOMAG™ magnetic bearing isolators</li> </ul> | <ul style="list-style-type: none"> <li>8 Enlarged oil fill connection</li> <li>9 Enlarged oil sight glass installed on each side of power frame</li> <li>10 Thrust bearing housing can only be installed the correct way</li> <li>11 Available with patented Predict-Plus proactive condition monitoring</li> <li>12 5-Year Unconditional (no questions asked) power frame warranty</li> <li>13 5-Year Zero Maintenance power frame (no oil change required)</li> </ul> |
|---|---|

## Why is PumpWorks the **ONLY** One?

- |  |   |
|--|---|
| <ul style="list-style-type: none"> <li>■ We are focused on reducing our customers' MRO spend.</li> <li>■ We will only provide the very best, common sense, solutions.</li> </ul> | <ul style="list-style-type: none"> <li>■ We believe the most economical parts you can buy aren't necessarily the ones that you need to buy.</li> <li>■ We are customer driven.</li> </ul> |
|--|---|



### Quality

- Manufactured and tested in the USA

### Delivery

- Pump components strategically inventoried for rapid shipment in a variety of material options

### ePOD Pump Selector

- Access to end users and specifiers to select your pump application online at [www.pumpworks.com](http://www.pumpworks.com)