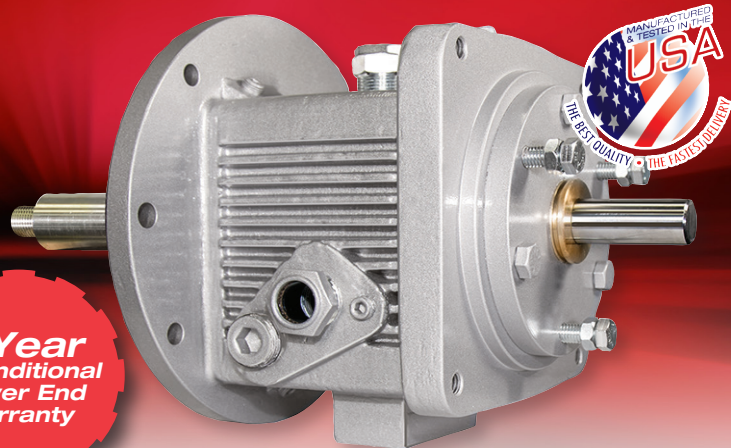
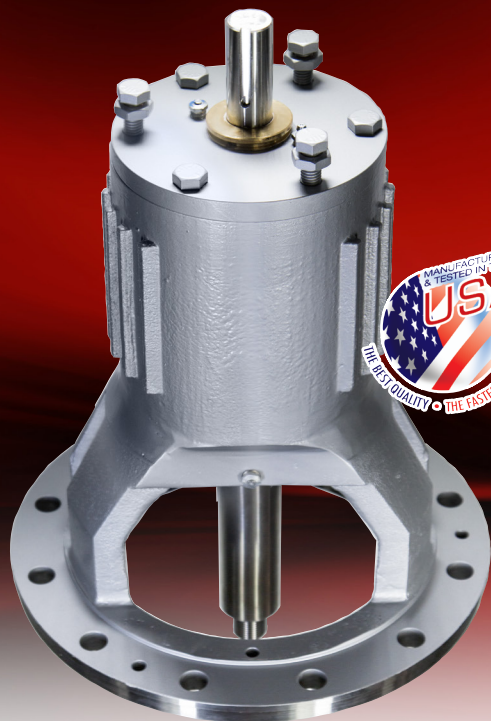


# PumpWorks Industrial ANSI Power End Upgrade Program

**Why throw away money rebuilding power ends?  
Replace them with a new, upgraded power end for less!**



**5 Year  
Unconditional  
Power End  
Warranty**

## Why rebuild your power end when you can upgrade for less?

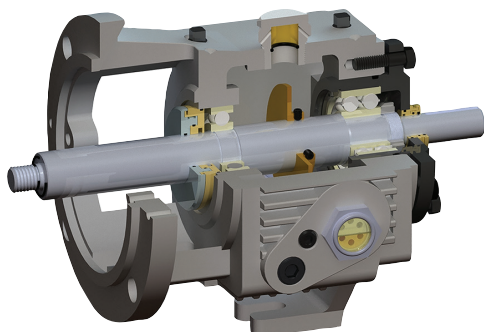
The PumpWorks Industrial ANSI Power End Upgrade Program not only provides a superior product, it also beats the high cost of rebuilding by providing an upgrade at a better price than other more expensive sources.

### Get a standard upgrade for increased reliability:

- Inpro/Seal VBXX®-D bearing isolators provided versus less effective lip seals
- PumpWorks upgraded power ends deliver significantly reduced oil temperature and longer bearing life
- Three step bearing frame internal coating process to reduce oil contamination
- Dual sight glasses provide visibility to oil level regardless of pump location

### Multiple alloy bearing frame options:

- WCB carbon steel (standard)
- 316SS and higher (optional)



## Join the PumpWorks Industrial ANSI Power End Upgrade Program and take advantage of:

### 100% made in the USA

All components are sourced, cast and machined in the USA.

### Reduced inventory costs

Your stocking personnel only have to manage records on one item instead of dozens.

### Reduced direct maintenance costs

Man-hours spent on getting a pump up and running are dramatically reduced.

### Reduced production downtime costs

Faster repairs result in reduced production costs, and you never pay for a part that's out of stock. Since you're installing a new upgraded unit, you can rest assured that you'll have longer, more reliable performance.

**Our 5 year unconditional Power Frame warranty is standard with every product.**

**PWA Power Frames Upgrade: 3196 T, X or i Series. Other Pumps Based on T, X or i Frames**



**PumpWorks Industrial • [www.pumpworksindustrial.com](http://www.pumpworksindustrial.com) • 1-888-626-7470**